



28G NANO-CUBE WIFI

THE NEXT GENERATION



MANUAL

WWW.JBJLAQUARIUM.COM

TABLE OF CONTENTS

Important Safety Instructions	3—5
Parts	6—7
Introduction	8—13
Getting Started	12-13
Lighting	14-17
Maintenance	18-19
Warranty	22-23

Important Safety Instructions

WARNING

To guard against injury, basic safety precautions should be observed, including the following:

READ ALL SAFETY INSTRUCTIONS BEFORE USE.

DANGER

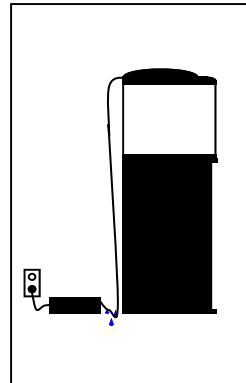
To avoid possible electric shock, special care should be taken since water is employed in the use of aquarium equipment. For each of the following situations, do not attempt to repair yourself: return the appliance to an authorized service facility for service or discard the appliance.

A. If the appliance falls into water, DON'T reach for it! First unplug it and then retrieve it. If the electrical components of the appliance get wet, unplug the appliance immediately.

B. Carefully examine the appliance after installation. It should not be plugged in if there is water on parts not intended to be wet.

C. Do not operate any appliance if it has a damaged cord or plug, or if it is malfunctioning or if it is dropped or damaged in any manner.

D. To avoid the possibility of the appliance plug or receptacle getting wet, position aquarium stand and tank to one side of a wall mounted receptacle to prevent water from dripping onto the receptacle or plug. A "drip loop", shown in the Figure at the right should be arranged by the user for each cord connecting an aquarium appliance to a receptacle. The "drip loop" is that part of the cord below the level of the receptacle or the connector if an extension cord is used, to prevent water travel along the cord and coming in contact with the receptacle. (Continued on pg. 4)



Important Safety Instructions

D. (Continued from pg. 3)

If the plug or the receptacle do get wet, DON'T unplug the cord. Disconnect the fuse to the circuit breaker that supplies power to the appliance. Then unplug and examine for the presence of water in the receptacle.

E. Close supervision is necessary when any appliance is used by or near children.

F. To avoid injury, do not contact moving parts or hot parts such as heaters, reflectors, lamp bulbs, and etc.

G. Always unplug an appliance from the outlet when not in use, before putting on or taking off parts, and before cleaning. Never yank the cord to pull plug from the outlet. Grasp the plug and pull to disconnect

H. Do not use an appliance for other than intended use. The use of attachments not recommended or sold by the appliance manufacturer may cause an unsafe condition.

I. Do not install or store the appliance where it will be exposed to the weather or to temperatures below freezing.

J. Make sure an appliance mounted on a tank is securely installed before operating it.

K. Read and observe all the important notices on the appliance.

L. This Appliance has a polarized plug (one blade is wider than the other). As a safety feature, this plug will fit in a polarized outlet only one way. If the plug does not fit fully in the outlet, reverse the plug. If it still does not fit, contact a qualified electrician. Never use with an extension cord unless plug can be fully inserted. Do not attempt to defeat this safety feature.

M. This appliance is intended **FOR HOUSEHOLD USE ONLY**.

Do not use or mount this appliance in such a way that the top vents are restricted or blocked. These vents are necessary to avoid over-heating and insure safe operating temperature.

Important Safety Instructions

O. Make sure that the appliance is set on a level surface to prevent undue stress on the aquarium tank from stress and leaks. It is not recommended that this appliance is set upon coffee tables, end tables, T.V. stands, or night stands unless the structure has been properly tested to within the weight limits of the aquarium.

CLEANING

It is important to keep this hood appliance clean. Always unplug the appliance before performing maintenance or cleaning of the exterior of this hood. Wipe exposed surfaces carefully with a damp terrycloth to remove any dust or mineral deposits which may collect over time. Make sure all surfaces are dry before re-plugging into an electrical outlet. To prevent scratching the aquarium, use a damp terrycloth when cleaning. Never use algae scrapers, scouring pads, razor blades, glass cleaner or other such abrasives.

SERVICING

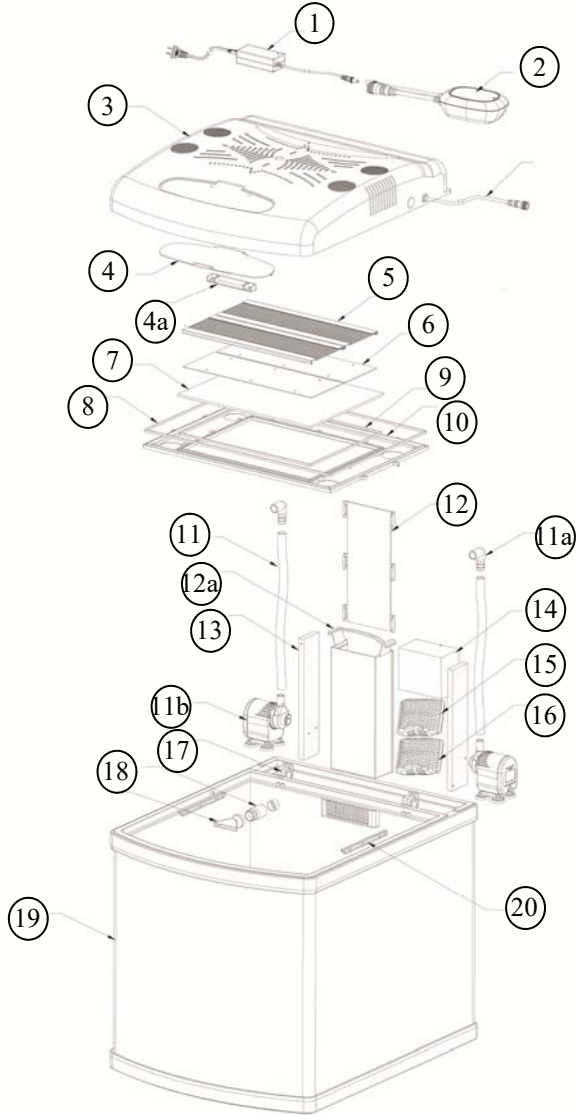
In order to assure proper electrical connections and polarity, replacement parts and servicing should be performed only by a qualified electrician.

OPERATION

Please carefully read the entire "Owner's Manual" for proper operation procedures before proceeding with turning on this appliance and adding livestock such as fish, corals, and invertebrates.

SAVE THESE INSTRUCTIONS

PARTS VIEW MT-604-LED



#	DESCRIPTION
1	LED DRIVER
2	LED WIFI CONTROLLER
3	LED LIGHT HOOD
4	FEEDING LID
4a	FEEDING LID HOLDER
5	HEAT SYNC
6	LED CIRCUIT BOARD
7	SPLASH GUARD
8	ORING
9	LENS
10	OUTER SHEILD
11	RETURN TUBE
11a	RETURN ELBOW
11b	RETURN PUMP
12	FILTER BASKET COVER
12a	FILTER BASKET
13	BAFFLE SPONGE
14	MECHANICAL SPONGE
15	ACTIVATED CARBON
16	CERAMIC RINGS
17	HINGE CLIP
18	RETURN FLARE NOZZLE
19	28G AQUARIUM
20	CANOPY ARM

THE NEXT GENERATION NANO-CUBE

Thank you for purchasing the 28g Nano Cube WIFI—The Next Generation Nano-Cube.

This advanced Nano-Cube WIFI has 2 accessible light modes: Manual Mode or Smart Mode that will allow you manage your aquarium light cycles. The Manual Mode allows you to remotely control your lights in real time. The Smart Mode allows you to customize the light cycles with the built in time on 10 different points. The JBJ Aquarium App can be downloaded on the Apple App Store or Google Play.

The life support systems comes with an AIO Filtration system that is located in the back of the aquarium to allow ample room for reef building.

ILLUMINATION SYSTEM

Your 28g Nano-Cube WIFI is installed with a high powered illumination system that is the key to a successful biotope while providing a brilliant color appearance to enhance the natural colors of fish and corals.

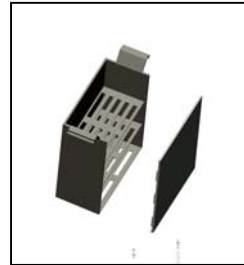
All models include a 3 channel 40W LED Canopy that can be controlled manually or remotely using the JBJ Aquarium App. You can set your light cycles on the JBJ Aquarium App. The JBJ Aquarium App also gives you the option to plot the lighting schedule on a user friendly line graph.

CRYSTAL CLEAR CURVED GLASS

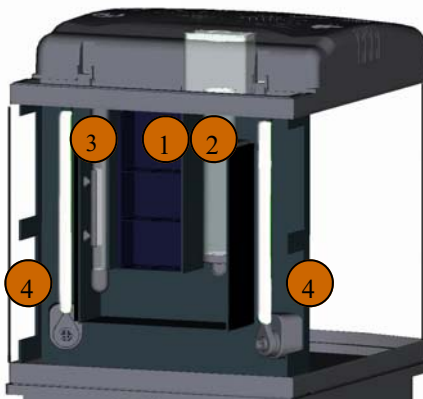
All Nano-Cube Aquariums offer panoramic viewing with smooth rounded corners for maximum viewing and enjoyment.

INTEGRATED 3 STAGE FILTRATION

Our comprehensive 3 Stage Filtration system keep aquariums sparkling clean and is discreetly hidden behind a false wall to provide an uncluttered and professional look and feel. All media is conveniently placed inside our **Removal Filter Media Basket** for quick and easy filter changes. The filter media basket also incorporates a handle and a sliding door for added convenience.



FILTRATION LAYOUT



1 - 3 STAGE FILTER

- * Mechanical Sponge
- * Activated Carbon Bag
- * Biological Ceramics Bag

2 - PROTEIN SKIMMER (Protein Skimmer Not Included)

3 - HEATER COLUMN (Heater Not Included)

4 - RETURN PUMPS

3 STAGE FILTER

Mechanical Filtration:

Filter Sponge traps free floating particulate matter and debris.

Chemical Filtration:

Activated Carbon bag removes dissolved organics and odor.

Biological Filtration:

Ceramic Ring bag provides internal/external surface area for housing beneficial bacteria to oxidize harmful ammonia and nitrite that accumulate in the aquarium from fish wastes, over-feeding, and normal biological processes.

* **Note:** Ceramic Ring bag can be removed if using this Nano-Cube as a mini-reef aquarium. Maintaining an average of 1lb per gallon of live rock will create a live biological filtration system as well as denitrification system ultimately creating a balanced biotope.

Submersible Pumps:

Included with flexible hose and elbow connector.

(2) Acela SP1-1000 Pumps

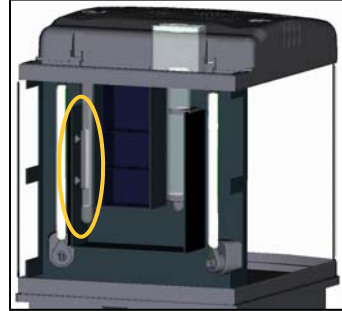
Rated at 266 gph

(2) Directional flow nozzles

Heater Placement (not included)

A submersible heater should be placed in the designated heater column. This column ALWAYS has a constant water level to keep the heater submerged and to prevent breakage.

Most tropical fish and corals prefer a range between 74-80F. Please consult with your aquarium professional for specific needs of the animals you intend to keep.



Dual Return Pumps



Once the water is filtered and heated, the water is re-directed back into the aquarium via (2) directional flow nozzles and wavemaker.

The dual return pumps along with the wavemaker recreate the natural turbulent currents normally associated with reef environments.

Wavemaker-Not Included

The Ocean Pulse Wavemaker can be adjusted from 10 Seconds to 6 minute intervals. This alternating cycle will keep detritus from accumulating, provides oxygen, removes waste from coral polyps and provides the optimal environment for corals to flourish.



WHAT'S INCLUDED INSIDE OF BOX

Carefully unpack your new 28g Nano-Cube WIFI. Inspect all its components and confirm all parts are included before using.

Report any damages or missing components to:

Toll Free—877-374-9981

Email—warranty@jbjlighting.com



- • 28g Nano-Cube
- • LED Driver
- • LED Controller



- • 2 Return Pumps



- • Removable Filter Basket w/
Filter Media

HANDLING PRECAUTIONS

Never attempt to move a full or partially full Nano-Cube.
Never lift by grabbing the aquarium frame
Never use cleaners that contain ammonia to clean the glass surfaces. Always lift and carry the Nano-Cube from underneath giving support to the bottom at all times.

CHOOSING A LOCATION

A. With a Nano-Cube Stand

1. Find a leveled surface and place Nano-Cube on top of stand before filling with water. Make sure that no part of the tank is overhanging the stand.

B. Without a Nano-Cube Stand

1. Find a leveled surface that can support the weight of the tank, water, and livestock. An average aquarium can weigh 10lbs per gallon once filled with water, rock, gravel, and other accessories.

2. Do not place in direct sunlight to prevent excessive algae growth and higher water temperatures.

FILLING THE TANK

Always dechlorinate tap water before adding into the aquarium. Always fill with room temperature water.

Rinse Activated Carbon which is located in the rear filter compartment under the sink for 30 seconds or until water runs clear.

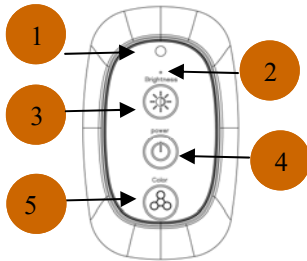
Fill the main body of the Nano-Cube until water flows through the overflow grill into the rear filter chamber. Once the rear filter chamber is full, plug pumps into an approved house surge protector or the Ocean Pulse Wavemaker. Once pumps are on, water will flow from the rear filter chamber through the directional flow nozzles into the main body of the Nano-Cube. Adjust accordingly to desired flow position.

TURNING ON YOUR LIGHTING SYSTEM

Plug in the Driver to the WIFI Controller
Plug in the WIFI Controller to the 28g Canopy.



LED CONTROLLER



1. WIFI Connection Light Indicator.
2. WIFI Reset
3. LED Brightness
4. LED Power
5. LED Channel—Blue, White, Red

CONTROLLING LED WITH CONTROLLER

Press Power button to turn on LED Canopy

Press LED Channel button to choose what coloration you desire

Press LED Brightness button to choose the desired intensity.

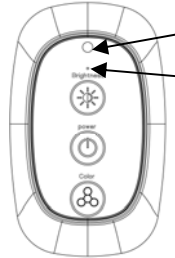
CONTROLLING LED WITH WIFI APP

Download the JBJ Aquarium App from the Apple App Store or Google Play.



Connecting to your WIFI Canopy

Use a paperclip or pin to Press the WIFI Reset button until the WIFI Indicator light turns green



"Red" - no WIFI Transmission
"Green" - WIFI Transmission

Hole to reset WIFI

Open up WIFI Settings on your smart phone. The controller will be detected by your smart device and will show a "BY-_____" number.

Choose the "BY-_____"
WIFI.
Password will be 88888888



You are now connected to your 28G WIFI LED Canopy

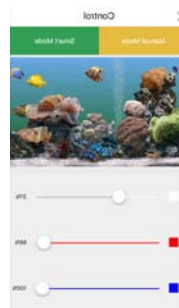
CONTROLLING LED WITH WIFI APP

Open up JBJ Aquarium App.
 Press Search Device to detect WIFI Canopy.
 Once detected connect to Canopy.
 Highlight to change the name.



Manual Mode

You can control your 3 channels in real time by increasing and decreasing the intensity of each channel



Smart Mode

You can set 10 timers to automatically increase / decrease the intensity of each channel.

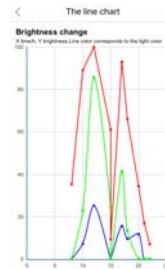


Press “Add Task” to set a timer. Select the time and desired light setting and press “Save”



You can set 10 different times with 10 different settings.

Once you have this set up press the back arrow. You may preview your set up.



You can adjust the settings using the chart. Simply press the color line and adjust up or down or left to right.

Task	Time	Brightness
1	10:16	10.25
2	10:17	22.589
3	10:18	85.25, 90.0
4	10:19	28.0, 60.0
5	10:20	5.0, 8
6	10:21	40.0, 82
7	10:22	15.0, 88
8	10:23	5.0, 34
9	10:24	5.0, 17
10	10:25	10.0

Once you have the settings you like you can back out of the app. The light canopy is programmed.

Regular maintenance is the key to a successful thriving aquarium. Maintaining an aquarium can be very easy with a regular cleaning schedule. Changing filter media is fast and easy with our Removal Filter Media Basket.

Simply, lift up on the handle and the water will drain out from the bottom. Take to the sink and slide open the door for a con-

WATER CHANGES

- A. Water changes should be carried out on monthly to bi-monthly schedule depending on how much bio-load is kept.
- B. 25% water changes with gravel vacuuming is essential to keep dissolved organic carbons to a minimum.

REPLACING THE FILTER SPONGE (Chamber1)

A. Filter Sponge should be changed on a monthly basis to remove trapped debris and free floating particulate matter.

REPLACING THE ACTIVATED CARBON (Chamber2)

- A. Activated Carbon adsorbs dissolved pollutants and removes the yellow discoloration of water and associated odors.
- B. Replace Activated Carbon Bag on a monthly basis.



**CERAMIC RINGS
(Chamber 3 / Bottom Level)**

- A. Biological media should not be removed as it houses the beneficial nitrifying bacteria for removal of ammonia and nitrite.
- B. This media does not need to be changed.

28G NANO-CUBE WIFI

28G NANO-CUBE WIFI

WARRANTY INFORMATION

1 Year Limited Warranty

This **28g NANO-CUBE WIFI** is warranted to the original purchaser against defective material and workmanship for 1 Year from the date of original purchase. This warranty is valid only under the following conditions: additions, modifications, or changes made to the product by the purchaser and not by the manufacturer shall void this warranty. Damages brought on by abuse, misapplication, or mishandling also voids this warranty.

This warranty is limited to the repair or replacement of the product at the discretion of the manufacturer. This warranty does not cover personal injury, property loss, including livestock or damage (direct, incidental, or consequential) arising out of use of this product. This warranty gives you specific rights and you may also have other rights, which may vary from state to state.

This warranty card must be filled out completely and returned within (14) days from the date of purchase. Failure to do so will void this warranty. A proof of purchase from an authorized dealer must be provided when making a warranty claim.

Upon discovery of a defect, please call us to obtain an RMA #.

Tel: (310) 672-4099 / Tel: (310) 672-4021

All claims should be sent prepaid to the following address:

Transworld Aquatics Enterprises, Inc.
3730 Unit 3, West Century Blvd.
Inglewood, CA 90308

28G NANO-CUBE WIFI

Please Fill Out Completely and Return within 14 days from date of purchase. *(Please Print)*

Customer Name: _____

Address: _____

City: _____

State: _____ Zip: _____

Phone#: _____

Email: _____

- Yes I would like to receive emails on JBJ News—New Products, Sales, Rebates*
- No I do not want receive emails on JBJ News*

Date of Purchase: _____

Model _____

Dealer Purchased From: _____

Date of Purchase: _____

Please mail warranty registration and Proof of Purchase to:

Transworld Aquatics Enterprises, Inc.
Attn: Warranty Dept.
3730 Unit 3, West Century Blvd.
Inglewood, CA 90308

You can also register your product on our website—JBJAQUARIUM.COM

Tear Off



Fold Here

Stamp

Transworld Aquatic Enterprises, Inc

3730 W. Century Blvd #3
Inglewood, CA 90303
Phone: (877) 374-9981

JBLLIGHTING.COM